

Menu-controlled electronic pressure switches

Technical details

E.4

menu-controlled



	0570 Electronic pressure switches	
Switching function:	NC/NO, programmable, 2 switching points, switching time delay, zero point reset, peak value memory (within adjustment range), switching point counter	
Settings:	Programmable using keypad on front	
Outputs:	2 transistor outputs (each 1.4 A DC12 / PNP) 1 analogue output (4 – 20 mA)	
Supply voltage U_b :	12 - 30 VDC	
Switching status display:	2 LEDs (yellow)	
Pressure display:	Current pressure displayable in bar or PSI on 3-digit LED (red)	
Life expectancy:	5,000,000 switching cycles at rise rates to 1,000 bar/s at p_{nom}	
Pressure rise rate:	$\leq 14,500$ psi/s ($\leq 1,000$ bar/s)	
Switching time:	< 4 ms	
Switching time delay:	Adjustable between 0 and 3.0 s	
Hysteresis:	1 – 99 % FS, programmable from keypad	
Accuracy:	± 0.5 % (FS at room temperature)	
Display accuracy:	± 0.5 % (FS at room temperature) ± 2 digits	
Temperature drift:::	± 0.2 % / 50 °F (± 0.2 % / 10 °C)	
Temperature range:	NBR, FKM -4 °F... +176 °F (-20 °C ... +80 °C)	
Compensated temperature range:	0 °C ... +70 °C (32 °F ... 158 °F), total error ± 2 %	
Housing material:	die-casted zinc	
Wetted parts material	Housing:	anodised aluminium
	Measuring cell:	Ceramic
	Seal material:	NBR or FKM
Vibration resistance:	10 g at 5 ... 2000 Hz sine wave; DIN EN 60068-2-6	
Shock resistance:	294 m/s ² ; 11 ms half sine wave; DIN EN 60068-2-27	
Protection class:	IP65	
Electromagnetic compatibility:	acc. to EN 50081-1, EN 50081-2, EN 50082-2	
Weight:	approx. 340 g	
Access PIN:	The switch can be protected with a pin between 1 and 999	

E.4

menu-controlled



0570

Electronic pressure switches

- Anodised aluminium and die-casted zinc
- Ceramic measuring cell in thick-film technology
- Supply voltage 12 ... 30 VDC
- Overpressure protection to 290 / 2,175 / 7,200 psi (20 / 150 / 500 bar)¹⁾
- Programmable using keypad on front
- Switching time delay (setting from 0 to 3 s)
- Peak value memory (within the measurement range)
- Pin protection possible to prevent misuse
- Socket device included

P _{max.} in psi (bar)	Burst pressure in psi (bar)	Adjustment range in psi (bar)	Thread	Order number:
-----------------------------------	--------------------------------	----------------------------------	--------	---------------

0570 Electronic switches

290 psi ¹⁾ (20 bar) ¹⁾	360 psi (25 bar)	0 – 145 psi (0 - 10 bar)	1/4 BSPP female	0570 – 467 14 – X – 001
2,175 psi ¹⁾ (150 bar) ¹⁾	2,540 psi (175 bar)	0 – 1,450 psi (0 - 100 bar)		0570 – 468 14 – X – 001
7,250 psi ¹⁾ (500 bar) ¹⁾	9,427 psi (650 bar)	0 – 5,800 psi (0 - 400 bar)		0570 – 469 14 – X – 001

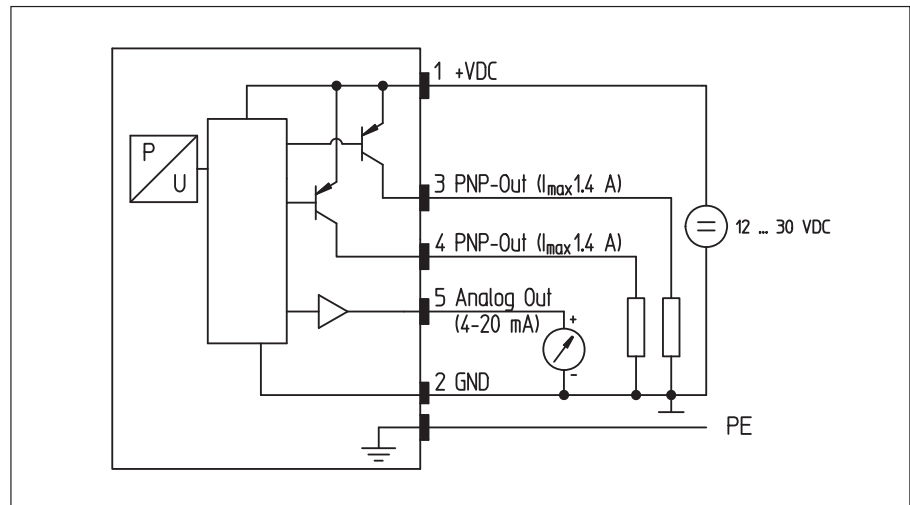
Seal material – Application areas

NBR (BunaN)	Hydraulic/machine oil, heating oil, air, nitrogen, etc.	1
FKM (Viton®)	Hydraulic fluids (HFA, HFB, HFD), petrol/gasoline, etc.	3



Order number: 0570 – 46X 14 – X – 001

Wiring chart



¹⁾ Static pressure, dynamic pressure 30 to 50% lower. Values refer to the hydraulic or pneumatic part of the electronic pressure switch.

Menu-controlled electronic pressure switches

display



- Menu-controlled, simple programming of switching functions
- 2 switching outputs and 1 analogue output
- Numerous programming functions, such as
 - switching time delay
 - zero point reset
 - peak value memory
 - switching point counter
- Current pressure value and switching states shown on 3-digit display
- Very high switching currents up to 1.4 A