



# Hispec<sup>®</sup> HI6000

High Temperature Pressure Transmitter



- High ambient temperatures up to 150°C
- Silicon-on-Sapphire sensor technology or outstanding performance
- Pressure ranges up to 1,500 bar
- Titanium wetted parts for excellent chemical compatibility
- High thermal stability over wide temperature range
- High accuracy version available
- Compact design



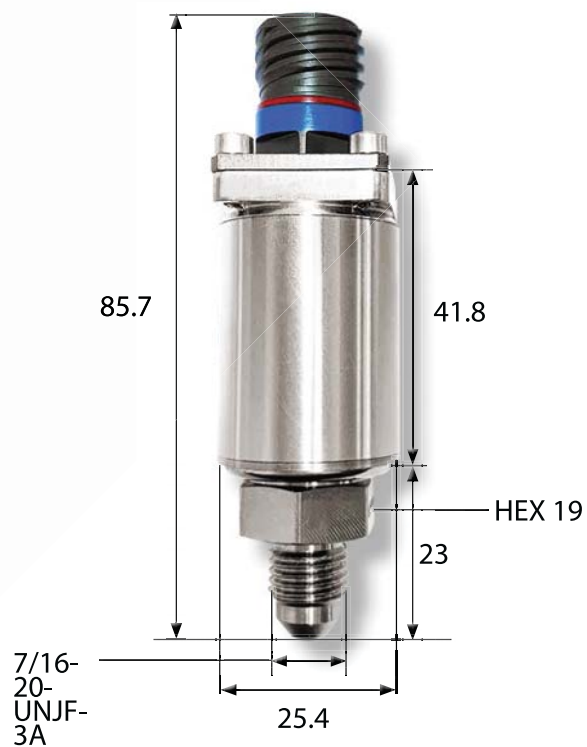
## Description

The HI6000 pressure transmitter series performs at constant media and ambient temperatures of up to 135°C and for limited periods up to 150°C.

The compensated temperature range is from -25°C to +135°C. Available in a range of outputs, and pressure ranges, and with a high accuracy option, it is our most flexible high temperature product.



## Dimensions (in mm)





## Technical Data

Type:	HI6xx0	HI6xx1	HI6xx2	HI6xx3
<b>Sensor Technology:</b>	Silicon-on-Sapphire			
<b>Output Signal:</b>	0.5 - 4.5 V ratiometric (4 wire)	0 - 5 V (4 or 3 wire)	0 - 10 V (4 or 3 wire)	4-20 mA (2 wire)
<b>Supply Voltage:</b>	4.8 - 5.5 VDC	10 - 32 VDC	12 - 32 VDC	10 - 36 VDC
<b>Pressure Reference:</b>	Gauge			
<b>Protection of Supply Voltage:</b>	Reverse polarity, overvoltage up to 36VDC			
<b>Standard Pressure Ranges (bar):</b>	0 -1 bar Vac; 0-0.5 bar; 0-1 bar; 0-2.5 bar; 0-6 bar; 0-10 bar; 0-16 bar; 0-25 bar; 0-100 bar; 0-250 bar; 0-400 bar; 0-600 bar; 0-1,000 bar; 0-1,500 bar (other ranges available)			
<b>Standard Pressure Ranges (psi):</b>	0-30 in Hg; 0-7.5 psi; 0-15 psi; 0-30 psi; 0-100 psi; 0-150 psi; 0-200 psi; 0-300 psi; 0-1,500 psi; 0-3,000 psi; 0-6,000 psi; 0-8,700 psi; 0-15,000 psi; 0-20,000 psi (other ranges available)			
<b>Overpressure Safety:</b>	2x for up to 600bar ranges, 1.5 for up to 1000bar, 1.1 for 1500bar range			
<b>Load Driving Capability:</b>	≥ 4.5k	≥ 5k	≥ 10k	RL < [UB - 10 V] / 20 mA (e.g. with supply voltage (UB) of 36 V, max. load (RL) is 1300 Ω)
<b>Accuracy NLHR:</b>	≤ ±0.25 % of span BFSL (Optional higher accuracy version of ≤ ±0.1 % of span BFSL available*)			
<b>Zero Offset and Span Tolerance:</b>	±0.02 V at room temperature			
<b>Operating Ambient Temperature:</b>	-40°C to +135°C, up to +150°C for 10 minutes on rare occasions. Compensated temperature range -25 to 135°C			
<b>Operating Media Temperature:</b>	-40 °C to 135 °C (-40 °F to +275 °F)			
<b>Storage Temperature:</b>	+5 °C to +40 °C (+41 °F to +104 °F) Recommended Best Practice			
<b>Temperature Effects:</b>	Cumulative error < ±0.5%FS (TEB)			
<b>Electromagnetic Compatibility:</b>	EN61000-6-2; EN61000-4-2: Electrostatic discharge: contact ±4kV, air ± 8kV; EN61000-4-4: Fast Transients ± 4kV signal port; EN61000-4-5: Surges ±0.5kV Line to Line; EN 61000-4-6: Disturbances 10V eff 0.15MHz - 80MHz. Certification: CE marked			
<b>Insulation Resistance:</b>	> 100 MΩ @ 50 VDC			
<b>Wetted Parts:</b>	Titanium alloy measurement cell and wetted parts			
<b>Pressure Media:</b>	All fluids compatible with titanium alloy			
<b>Pressure Connection:</b>	AS4395B-E04 (7/16-20 UNJF- 3A) other options available			
<b>Electrical Connection:</b>	D38999; shell size 9, 6 pin, pattern 35 or PTFE insulated flying lead, conductor size 7/0.1 mm (other options available)			
<b>Net. Weight (Kg):</b>				

\* At room temperature



## Order Matrix

Output	Electrical Connection	Wires	Type	Options	Pressure Range	Process Connection
0.5-4.5 V ratiometric	Cable outlet 1m screened IP67 protection	4	HI6000			
	D38999 6 pin connector	4	HI6010			
0-5 V	Cable outlet 1m screened IP67 protection	4	HI6001			
	D38999 6 pin connector	4	HI6011			
	Cable outlet 1m screened IP67 protection	3	HI6301			
	D38999 6 pin connector	3	HI6311			
0-10 V	Cable outlet 1m screened IP67 protection	4	HI6002			
	D38999 6 pin connector	4	HI6012			
	Cable outlet 1m screened IP67 protection	3	HI6302			
	D38999 6 pin connector	3	HI6312			
4-20 mA	Cable outlet 1m screened IP67 protection	2	HI6003			
	D38999 6 pin connector	2	HI6013			

Options
No special options

Pressure Range in bar		
0-1 bar Vac	(0-30 in Hg)	V001
0-0.5 bar	(0-7.5 psi)	00.5
0-1 bar	(0-15 psi)	0001
0- 2.5 bar	(0-30 psi)	02.5
0-6 bar	(0-100 psi)	0006
0-10 bar	(0-150 psi)	0010
0- 16 bar	(0-200 psi)	0016
0-25 bar	(0-300 psi)	0025
0-100 bar	(0-1,500 psi)	0100
0-250 bar	(0-3,000 psi)	0250
0-400 bar	(0-6,000 psi)	0400
0-600 bar	(0-8,700 psi)	0600
0-1,000 bar	(0-15,000 psi)	1000
0-1,500 bar	(0-20,000 psi)	1500

Process Connection
AS4395B-E04 (7/16-20 UNJF- 3A)

FN

Order Number Example	HI6000-1500FN
----------------------	---------------

For options not listed please contact the sales team

DISCLAIMER : ESI Technology Ltd operates a policy of continuous product development. We reserve the right to change specification without prior notice. All products manufactured by ESI Technology Ltd are calibrated using precision calibration equipment, traceable to national measurement standards.

